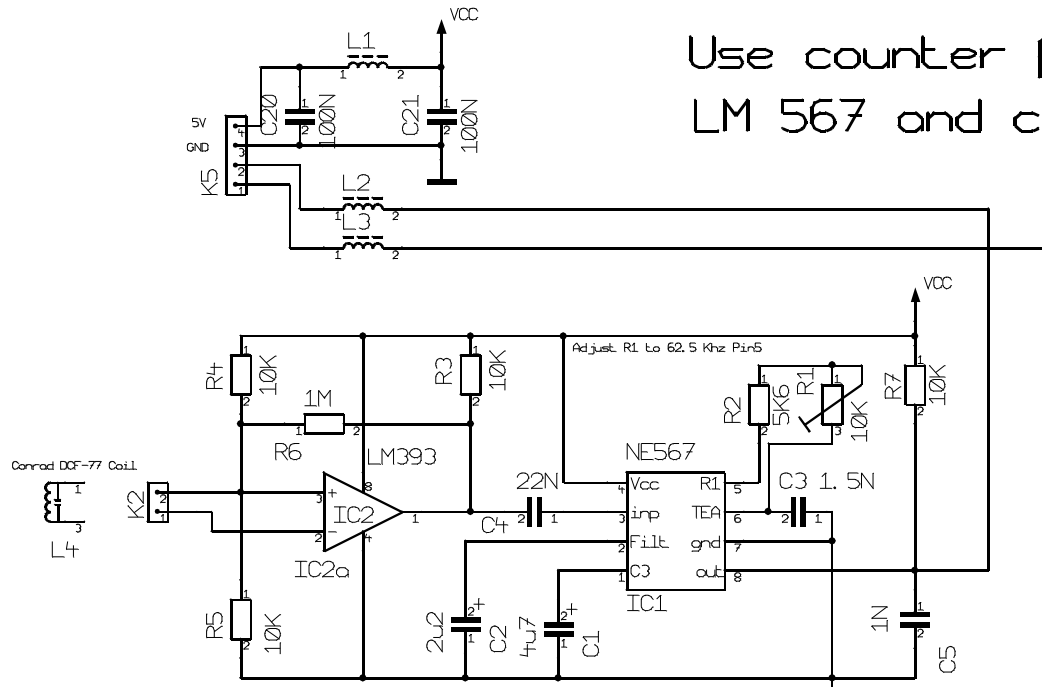
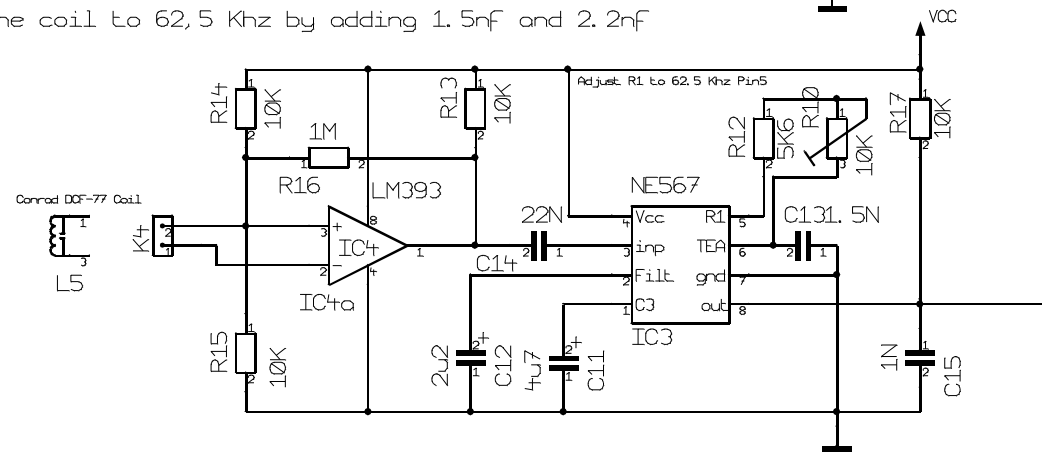


Use counter for adjusting
 LM 567 and coil within 0,1 KHz !!!



Tune coil to 62,5 KHz by adding 1.5nf and 2.2nf



Scale	275, 17%	File	PLL-receiver2	Author	WH	Sheet	ONE
Change	2002-05-22		22:32	Title UDO DUAL RECEIVER			
Output	2002-05-26		13:14				
Company	FUN 4 ALL			Project	UDO 4		

